

EVG 40/3 D  
 Order No.: 14030002

0 Volt = Off  
 10 Volt = On

Specification Sheet

Design	Electronic convertor for neon tubes according to VDE 0713. Suitable for indoor systems.	<b>CE</b>
Weight	1.350 kg	
Radio interference suppression	According to VDE 0875, Part 2A1 (EN 55015)	
Temperatures	Ambient temperature range: +/-0 to +65°C Temperature limit: +80°C (max. ambient temperature which the convertor can withstand for a short period of time without being destroyed)	
Housing	Polystyrene shell, Standard colour: white Filling compound: polyurethane (black).	
Class of protection	I	
Degree of protection	IP 65	

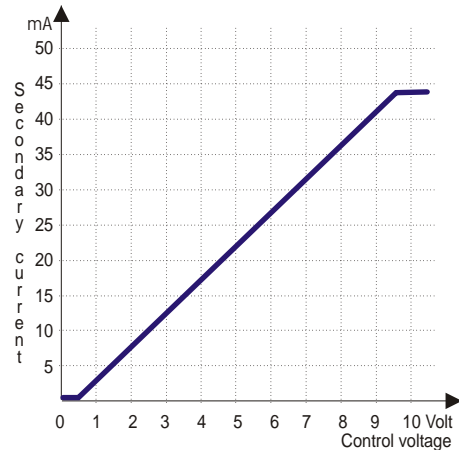
**Secondary Data**

3000 Volt with 40 mA constant current, symmetrical alternating current, operating frequency depending on the load and the control voltage (16 - 60 kHz).

Integrated open circuit protection and earth leakage trip

Suitable for blue discharge tubes, conditional suitability for red discharge tubes.

**Secondary current depending on the control voltage:**



**Primary Data**

Mains voltage 230 Volt, +/- 10 %, 50 / 60Hz  
 Current consumption Depends on the connected tube load;  
 max. 0.60 Amp.  
 cos phi 0,95

**Protective equipment**

Safety fuse Integrated 1 Amp. melting fuse offering protection against internal short circuits  
 Earth leakage trip (acc. to EN 50107) integrated in the convertor  
 Open circuit portection (acc. to EN 50107) integrated in the convertor

**Connectable tube lengths:**

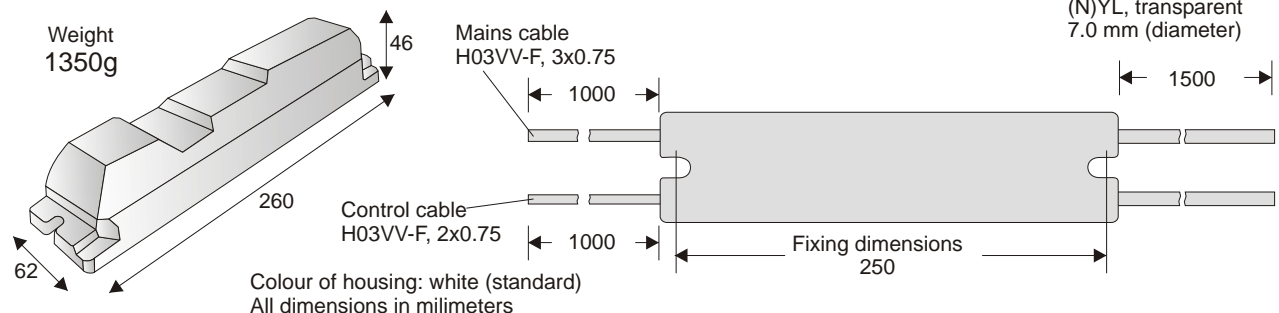
Blue discharge ( indoor, 2 sections)			
Diameter / mm	18	20	22
Length / m	6,4	6,9	7,5

The values given represent the maximum connectable tube lengths. These values must not be exceeded. However, shorter tubes may be used without any restrictions. The tube lengths are calculated on the basis of the "Filling Pressure Recommendations for Fluorescent Tubes" published by the German Fachverband Lichtwerbung.

**Caution:**

The installation instructions must be observed when using the convertors!

**Housing dimensions**



May 1999 Technical changes reserved