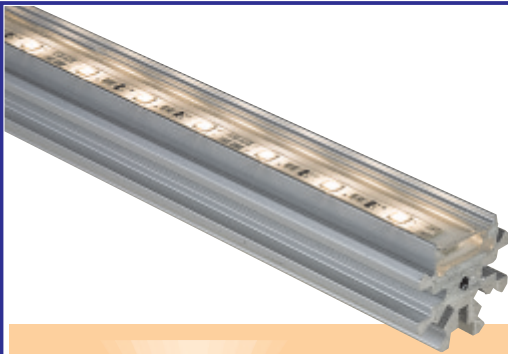


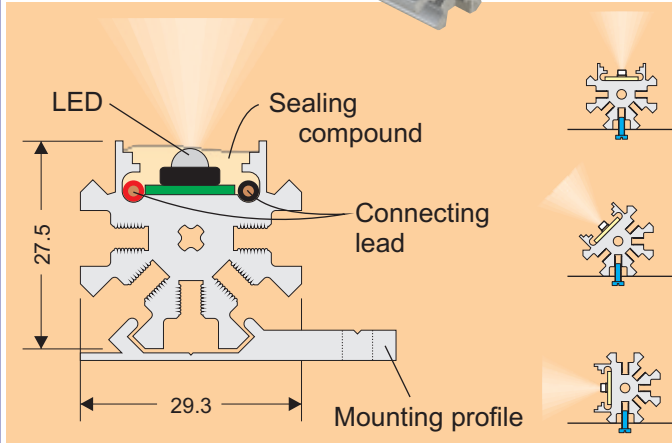
LED Light Bar

hansen



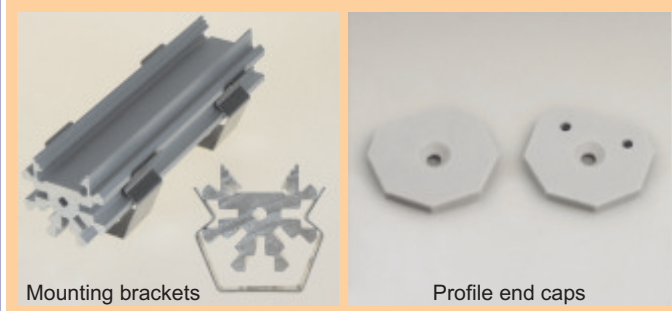
The LED Light Bar is a new aluminium carrier profile for power LEDs (up to 3 watts).

The special shape of the profile serves three functions:
 - accommodation of the LEDs and sealing compound
 - optimum cooling of the LEDs
 - installation at different angles



The profile is designed for LEDs with different ratings: For example our 0.4 W power LEDs with a spacing of 2 cm or even more powerful LEDs with 1 to 3 watts from renowned manufacturers.

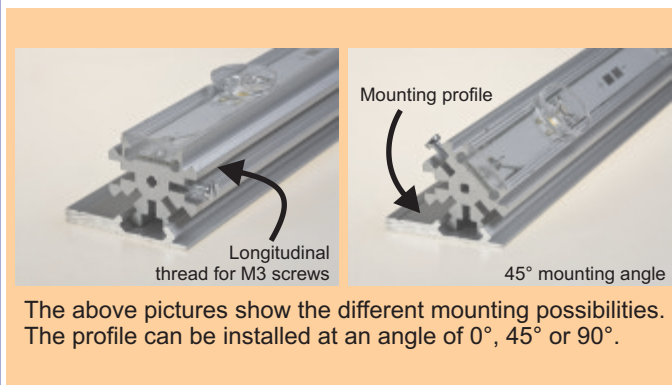
The LEDs can be equipped with additional lenses reducing the radiation angle to generate a more intense, concentrated light.



The circuit boards, LEDs and lenses (if fitted) can be protected against ambient influences with a highly transparent sealing compound.

The anodization makes it suitable for outdoor use as well so that the LED Light Bar can be installed on building facades without any problems.

The LED circuit boards can be either connected in series and operated with a constant LED current or connected in parallel and operated with a safety extra-low voltage (12-48 volts).



The above pictures show the different mounting possibilities. The profile can be installed at an angle of 0°, 45° or 90°.

Depending on the application, both types of connection have their advantages. We offer suitable power supplies for either type of connection.

The LED Light Bar can be supplied in customized lengths of up to 4 metres.



Technical modifications reserved. Date: Mar. 2009 Data content protected by copyright. Source: www.hansen-led.com LLL/03/2009