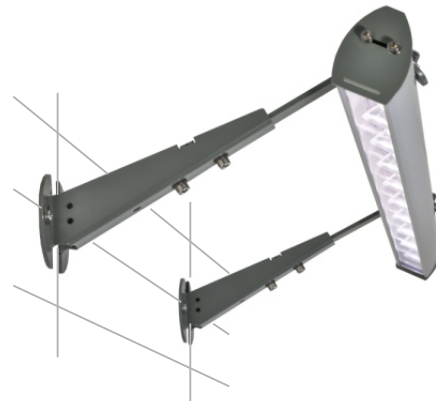


## Wall Floodlight in V Profile – With external Converter

The ***hansen*** Wall Floodlight is a linear LED luminaire primarily designed for the illumination of signs, company letterings, logos and advertising posters.

The body consists of an extruded aluminium profile with an anodized surface. The length of the profile can vary between 300 mm and 3,000 mm according to customer specification.

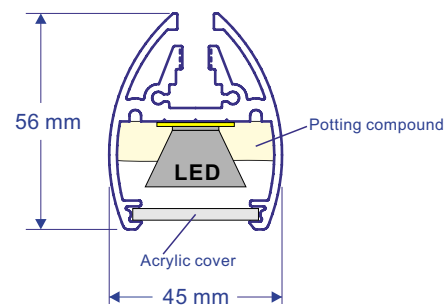
The profile contains the High-Power LEDs mounted on an elongated circuit board. The brightness of the luminous area is determined by the selected LED spacing. The LEDs can be spaced at intervals of 100 mm, 150 mm and 200 mm.



General data:	
Type of connection	Series connection
Power supply unit	<b><i>hansen</i></b> converter type C700/ ...
Max. LED current	700 mA
LED power (750 mA)	2.25 W
LED spacing	150 mm (100 mm, 200 mm optional)
Lenses	30° (10°, 10° x 42° optional)
Degree of protection	IP65
Class of protection	II
Ambient temperature range	-25 °C to +65 °C
Residual luminous flux	80% after 50,000 operating hours
Conformity	CE, RoHS
Connecting cable	H07RN-F, 1 x or 2 x 1.5 mm <sup>2</sup> ◀ HAR ▶
Minimum length	300 mm
Maximum length	3,000 mm (special lengths up to 4,000 mm)

Photometric data of the LEDs (700 mA):	
Light colour	Luminous flux
White 3,000 K	180 lm
White 4,000 K	200 lm
White 5,000 K	190 lm
White 6,500 K	185 lm
Note: Tolerance of the photometric data: +/- 10%	

Material properties – PMMA (acrylic):	
Manufacturing process	Casting
Thickness tolerance	+/- 0.4 + (0.1 x thickness (in mm))
Linear expansion	0.07 mm/(m °C) (DIN 53752-A)
Dielectric strength	30 kV/mm (VDE 0303 Part 2)
Service temperature	-25 °C to +80 °C
Softening temperature	115 °C (ISO 306, method B 50)
Reaction to fire	Building material class B2 (DIN 4102)
Flammability	HB (UL 94)



**Cross-section and dimensions**

Material properties – transparent potting compound:	
Two-component potting compound, polyurethane (PUR)-based	
Shore A hardness	70 +/- 5
Shore D hardness	< 30
Service temperature	-40 °C to +90 °C
Dielectric strength	70 kV/mm (VDE 0303 Part 2)
UV resistance	Resistant
Thermal expansion	CTE: approx. 120/210 ppm/°C
Reaction to fire	Building material class B2, Class 3, TP(b)
Aluminium profile:	
Material	AlMgSi (F22)
Anodization	Silver-grey, 15 µm
Dimensional tolerance	EN 12020-2

