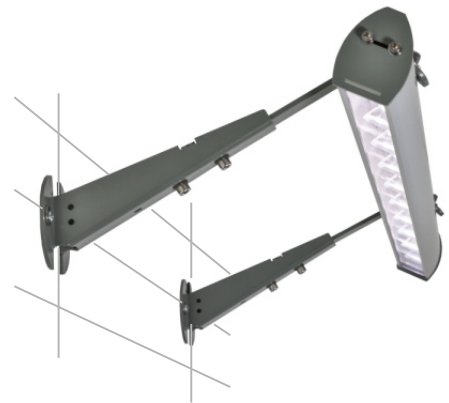


Description

Wall Floodlight in V Profile



Technical description

The ***hansen* Wall Floodlight** is an elongated LED luminaire designed for the illumination of signs, company letterings, logos or advertising posters with a height of up to 4.00 m.

The **Wall Floodlight** can be mounted above or below the area to be illuminated. The distance to the wall is approx. 20 to 30 cm.

The body of the luminaire consists of an extruded aluminium profile with an anodized surface. The profile length can be chosen between 300 mm and 4,800 mm, i.e. the **Wall Floodlight** is produced to customer specification.

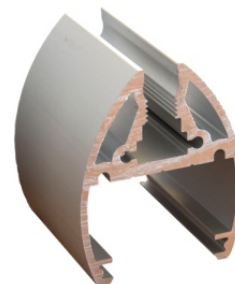
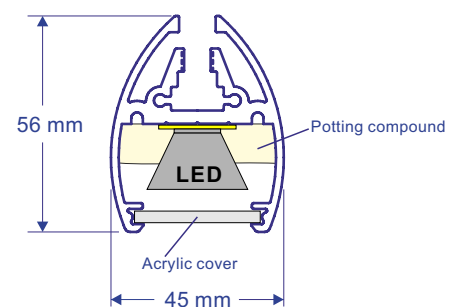
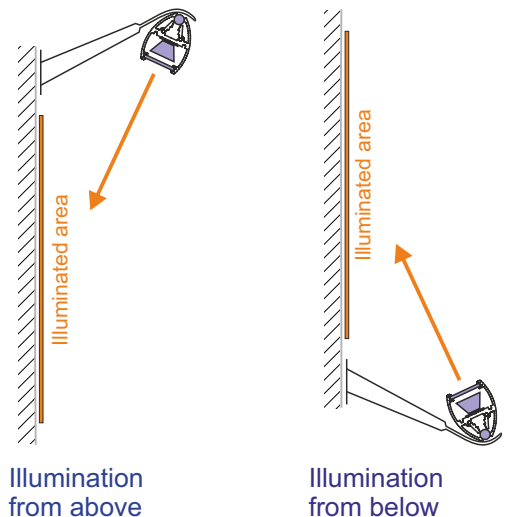
Lengths of more than 4,800 mm are supplied in several parts, which are mechanically coupled with special profile connectors.

The V-shaped profile contains the High-Power LEDs mounted on an elongated circuit board. The brightness of the illuminated surface can be influenced by selecting the appropriate LED spacing. The following intervals are available: 100 mm, 150 mm and 200 mm.

The High-Power LEDs are fitted with special lenses directing the light more or less strongly.

To ensure the insulation of the electrical components inside the luminaire, the **Wall Floodlight** is filled with a transparent sealing compound.

The electrical power for the LEDs is supplied by special converters which must be mounted outside the luminaire. Three different converters with different power ratings are available.



Wall Floodlight in V Profile

Wall mounting

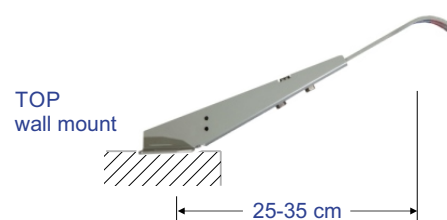
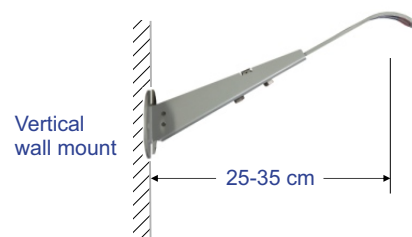
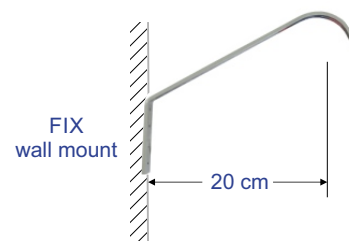
There are three different wall mounts for the **Wall Floodlight** all of which are designed to be fixed to the wall by means of screws. Two wall mounts are required to fix the luminaire securely. The spacing between the two wall mounts must not exceed 1 m.

The **FIX wall mount** allows the luminaire to be fixed to the wall at a distance of 20 cm. The illumination angle of the luminaire can be adjusted.

The **vertical wall mount** consists of two parts. The illumination angle and the distance to the wall are adjustable.

The **TOP wall mount** can be mounted on a horizontal surface. It consists of two parts, and the distance to the wall can be adjusted.

For the TOP and vertical wall mounts we offer a longer lamp holder to allow the luminaire to be fixed at a larger distance to the wall.



Connecting cable and converter

The connecting cable is led out of the profile through the upper slot near the wall mount. Usually, the cable is routed to the converter via the wall mount.

External converter

Five converters with different power ratings are available. The converter must be installed in a housing attached to the wall, the suspended ceiling or inside the building.

NEW: integrated converter

The Wall Floodlight in V Profile is now also available with an integrated converter. All electronic components are fully embedded in the profile.

C700/30

for up to 10 LEDs
with 2.25 W each



C700/85D

dimmable via 0-10 V
for up to 20 LEDs
with 2.25 W each



C700/150D

dimmable via 0-10 Volt
for up to 36 LEDs
with 2.25 W each



C700/215D

dimmable via 1-10 Volt
for 37 to 66 LEDs



C700/357D

dimmable via 1-10 Volt
for 62 to 112 LEDs



Connector for two Wall Floodlights

The profile connector can be used to mechanically connect two **Wall Floodlights** ensuring proper alignment of the two luminaires. From the usual viewing distance the connection is almost invisible.

The threaded bolt, which comes with the connector, allows a third lamp holder to be fixed. This is recommended for luminaires with an overall length of more than 2,500 mm.



Wall Floodlight in V Profile

LEDs

The Wall Floodlight with external converter uses High-Power LEDs with the following technical specifications.

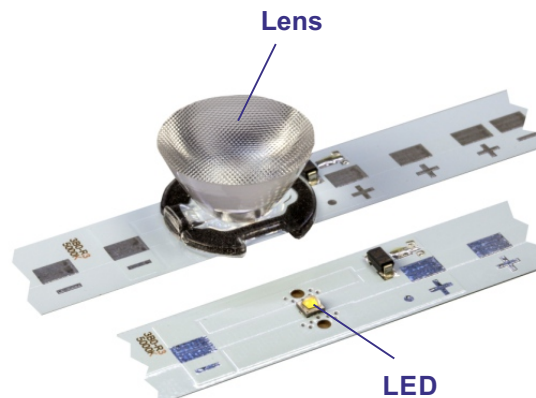
Operating current: 700 mA
 Power rating: 2.25 W / LED
 Luminous flux: 250 lm / LED
 Luminous efficacy: 127 lm / W

Each LED is fitted with a lens which focuses the light.

30° > Standard lens for most applications with an approx. height of the illuminated area of 3 m

10° > optional

10x42° > optional



LED spacing

Following LED spacings are available:

- with external converter: 100 mm | 150 mm | 200 mm
- with integrated converter 150 mm
- as wall washer: 100 mm



The spacing of the LEDs inside the **Wall Floodlight** influences the brightness, light quality as well as the energy and product costs. The smaller the spacing, the higher the brightness and light quality, but also the energy and product cost.

Light colour temperatures

The following colour temperatures are available:

- 3,000 K (warm white)
- 4,000 K
- 5,000 K
- 6,500 K (cool white)