

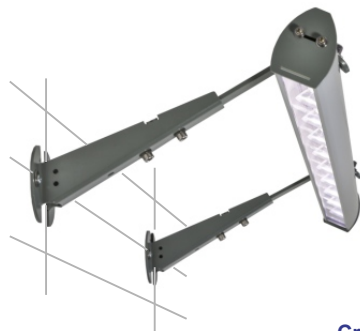
Wall Floodlight in V Profile – With Integrated Converter

The ***hansen*** Wall Floodlight with integrated converter is a linear LED luminaire primarily designed for the illumination of signs, company letterings, logos and advertising posters.

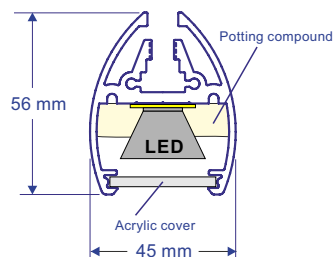
The integrated converter eliminates the need for an external power supply unit. The luminaire can be connected directly to the 230 V mains.

The body consists of an extruded aluminium profile with an anodized surface. The length of the profile can vary between 750 mm and 3,000 mm according to customer specification.

The High-Power LEDs are spaced at 150 mm intervals and operated with a current of 500 mA.



Cross-section and dimensions



Material properties – PMMA (acrylic):	
Manufacturing process	Casting
Thickness tolerance	+/- 0.4 + (0.1 x thickness (in mm))
Linear expansion	0.07 mm/(m °C) (DIN 53752-A)
Dielectric strength	30 kV/mm (VDE 0303 Part 2)
Service temperature	-25 °C to +80 °C
Softening temperature	115 °C (ISO 306, method B 50)
Reaction to fire	Building material class B2 (DIN 4102)
Flammability	HB (UL 94)
Aluminium profile:	
Material	AlMgSi (F22)
Anodization	Silver-grey, 15 µm
Dimensional tolerance	EN 12020-2

Electrical data:	
Mains input voltage	230 V +/- 10%, 50–60 Hz
Power supply unit	Integrated
Class of protection	I
Degree of protection	IP65
Power factor	> 0.95
Radio interf. suppression	According to EN 55015
Mains current harmonics	According to EN 61000-3-2
EMC immunity	According to EN 61547

No. of LEDs	Power consumption	Input current
5	9 W	0.039 A
6	10.8 W	0.047 A
7	12.6 W	0.055 A
8	14.4 W	0.063 A
9	16.2 W	0.070 A
10	18 W	0.078 A
11	19.8 W	0.086 A
12	21.6 W	0.094 A
13	23.4 W	0.102 A
14	25.2 W	0.110 A
15	27 W	0.117 A
16	28.8 W	0.125 A
17	30.6 W	0.133 A
18	32.4 W	0.141 A
29	34.2 W	0.149 A
20	36 W	0.157 A
21	37.8 W	0.164 A
22	39.6 W	0.172 A
23	41.4 W	0.180 A
24	43.2 W	0.188 A
25	45 W	0.196 A

Photometric data:	
Light colour	Luminous flux
White 3,000 K	180 lm
White 4,000 K	180 lm
White 5,000 K	200 lm
White 6,500 K	200 lm
Residual luminous flux	70% after 50,000 operating hours
LED spacing	150 mm
Lens	30°

General data:	
Dimensions (W x H)	45 x 56 mm
Connecting cable	H07RN-F 3 x 1.5 mm ²
Ambient temperature	-25 °C to +65 °C
Conformity	CE, RoHS

