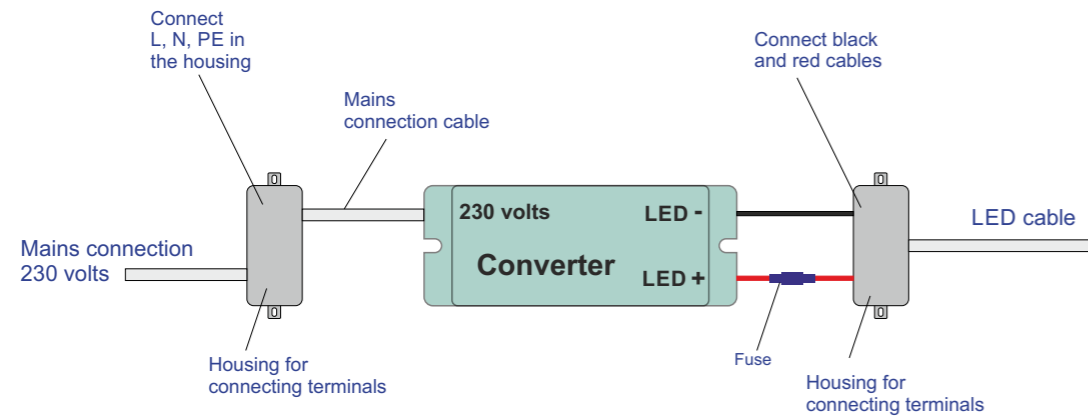
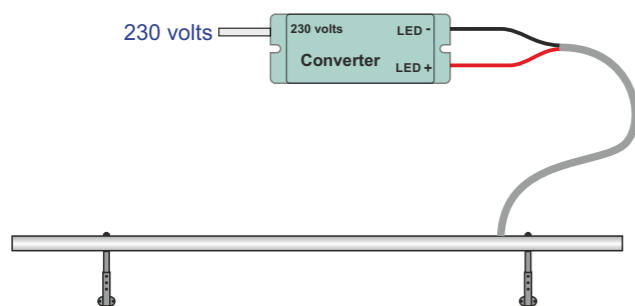


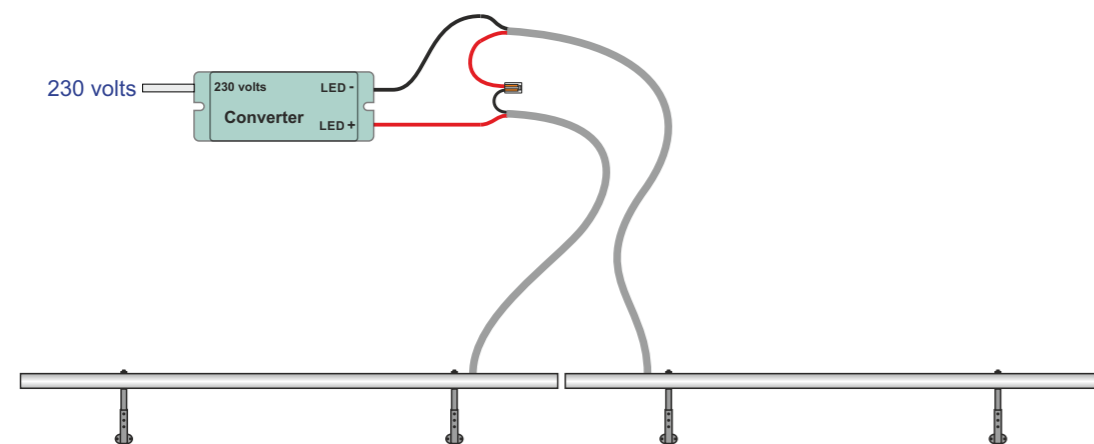
Wall Floodlight in V-Profil



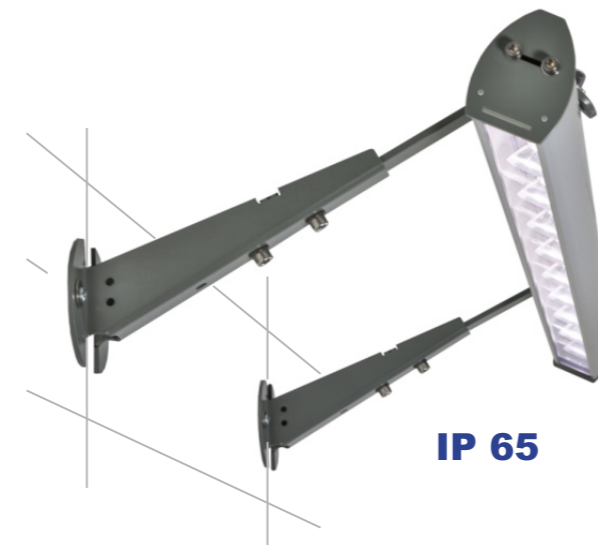
Connecting one Wall Floodlight to a converter



Connecting two Wall Floodlights to a converter



Important: Connect the LEDs to the converter first before switching on the mains voltage!



Wall Floodlight in V Profile with external converter

🇩🇪 Made in Germany 🇩🇪

Safety instructions

- The installation must be carried out by qualified persons only. Make sure that the circuit is de-energized before connecting.
- Only use original parts from the manufacturer for maintenance and repair.
- Do not make any technical modifications. If subsequent modifications are carried out on the luminaire, liability will pass to the person carrying out the modifications.
- The manufacturer accepts no liability for damage caused by improper use.
- Keep these instructions for future reference.

Intended use

- The **Wall Floodlight in V Profile** is solely intended for the illumination of wall areas.
- It can be mounted horizontally, shining upwards or downwards, or vertically.
- Any operation without proper mounting and/or with illuminants or spare parts not approved by the manufacturer is regarded as improper use.

Surface quality

- Surface quality class 3: high surface requirements. No impact marks, longitudinal or transverse cracks and extrusion streaks must be visible from a distance of 2 metres.

Cleaning instructions

- Use a soft cotton cloth to clean the luminaire.
- Only use commercially available glass cleaners. Do not use any acids or lyes!

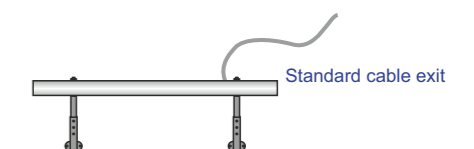
Technical data:	
Mains input voltage	230 V~ / 50 Hz
Power supply unit	hansen converter 700 mA
Protection class	II
Degree of protection	IP 65
LED operating current	700 mA
Illuminant	2.25 W LEDs
LED spacing	100 mm · 150 mm · 200 mm
Type of lens	10° · 30° · 10x42°
Colour temperatures	3000 K · 4000 K · 5000 K · 6500 K
Lengths	300 mm to 3,000 mm
Dimensions (W x H)	45 x 56 mm

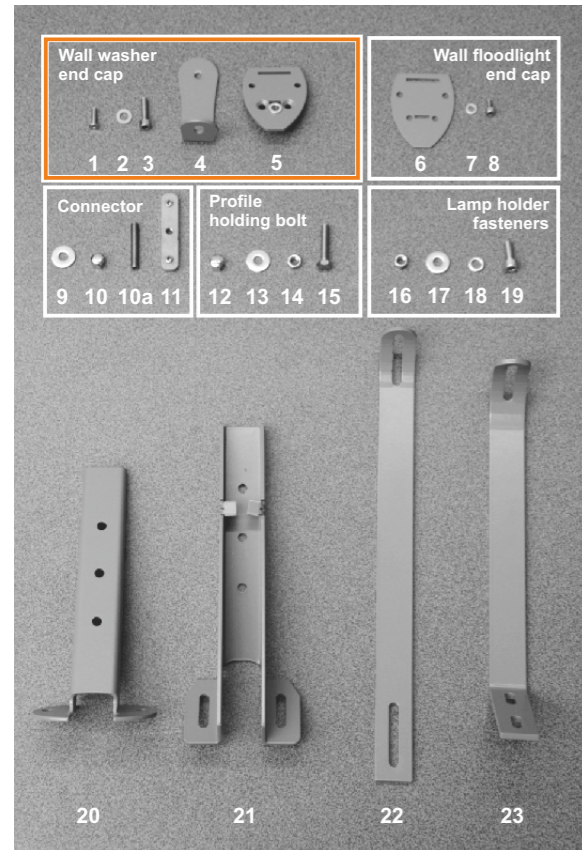
Technical description

The anodized aluminium profile has been specially designed for outdoor illumination with LEDs. The LEDs and internal cables are fully embedded making the luminaire weatherproof. In addition, the luminaire is fitted with a protective acrylic glass cover. The end caps and wall mounts are made of powder-coated aluminium.

The power supply units (700 mA converters) are installed outside the luminaire.

As standard, the connecting cable exists the luminaire approx. 20 cm from the outer edge between the first and second LED. Cable length: 3.00 m; type: (H) 07RN-F 2 x 1.5 mm²; core colours: red and black; outer sheath: black. Electrical connection see page 4.

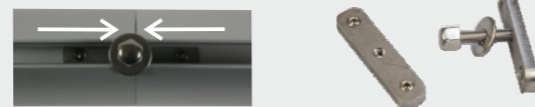




Parts list

- | | |
|------------------------------------|--|
| 1 Countersunk head bolt M4 x 16 | } Only required when luminaire is used/installed as wall washer |
| 2 Washer 6.4 x 12 | |
| 3 Hexagon socket head bolt M6 x 16 | |
| 4 Wall washer wall mount | |
| 5 Wall washer end cap | |
| 6 Wall floodlight end cap | 16 Hexagon nut M6 |
| 7 Washer 4.3 x 8.7 | 17 Washer 6.4 x 18 |
| 8 Hexagon socket head bolt M4 x 8 | 18 Washer 6.4 x 12 |
| 9 Washer 6.4 x 18 | 19 Hexagon socket head bolt M6 x 16 |
| 10 Cap nut M6 | 20 Wall mount "vertical" |
| 10a Threaded stud 6 x 30 | 21 Wall mount "TOP" |
| 11 Connector | 22 Lamp holder |
| 12 Cap nut M6 | 23 Wall mount "FIX" |
| 13 Washer 6.4 x 18 | |
| 14 Nut M6 | |
| 15 Hexagon head bolt M6 x 30 | |

Optional: connector



If two luminaires are to be attached to each other, the respective end caps must be removed first.

Then the **connector** can be slid into one profile and fixed. The second profile can now be mounted flush to the first one. Optionally, a lamp holder can be attached here as well.

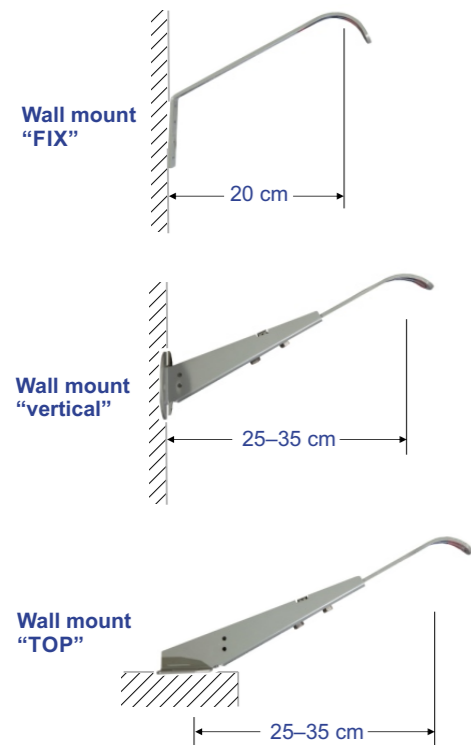
The following **wall mounts** are available:

- **Wall mount "FIX"**
- **Wall mount "vertical"**
The **vertical** wall mounts allow installation of the luminaire on a wall with the luminaire shining either upwards, downwards or vertically.
- **Wall mount "TOP"** for installation on horizontal surfaces such as roof projections
- **Wall washer angle bracket**

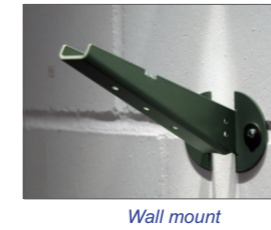
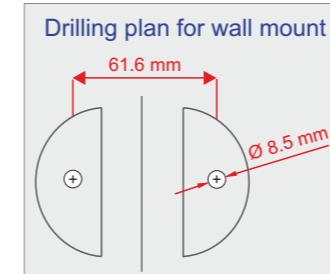


Wall mounts

The spacing between the two wall mounts must not exceed 1 m.



1. Fixing the wall mounts to the wall



The profile should be installed at a vertical distance of approx. 15% of the height of the advertising space to be illuminated or at least 10 cm above or below the advertising space. The spacing between the two wall mounts must not exceed 1 m.

2. Installing the lamp holders



Remove the cap nut and the washer.

Separate the lamp holder from the wall mount.

Place the lamp holder onto the profile holding bolt and refit the washer and the cap nut. Tighten only loosely. Roughly slide the lamp holders into position.

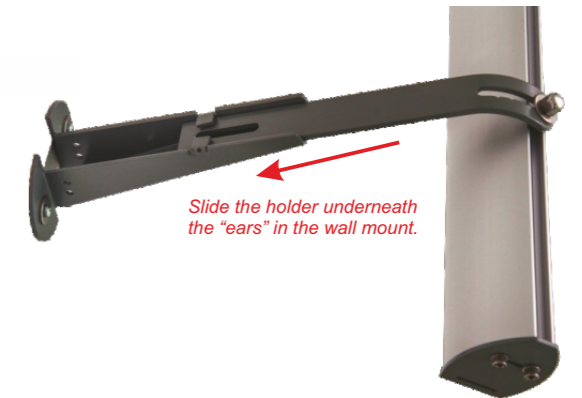
The lamp holders should now be **loosely attached** to the V profile and **free to move**.



3. Mounting the luminaire

Insert the **lamp holders** into the **wall mounts**.

NOTE:
The two bent "ears" on the inside of the walls mounts ensure a good stability of the inserted holders without the need for further support.



Fix the **lamp holders** to the **wall mounts** using the fasteners provided:

- From below (visible):**
Hexagon socket head bolt with small washer
- From above/the inside:**
M6 hexagon nut with large washer

The **V profile** is still free to move and can be positioned and aligned as required. **Fully tighten the cap nuts** to fix the profile in place. The wall mounting is now complete.

4. Connecting cable

Route the connecting cable along the "channel" on top of the luminaire towards one of the wall mounts. Then run the cable along the inside of the wall mount and fix it with cable ties. A diagram of the electrical connection is shown on page 4.

