

## Sample Set – as decision support tool

Article no. 5 7203 050

L x W x H: 150 x 280 x 300 mm

- made of 19 mm panels in concrete look
- with pre-installed 220 mm electrified shelf support rail
- including power-supplying end caps
- including 12V-6W power supply unit with 1,5 m power cord and Europlug

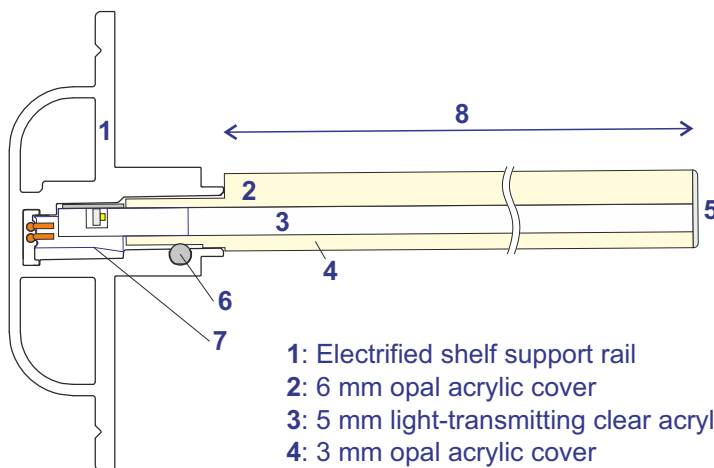
One luminous shelf

- dimensions (L x W): 190 x 210 mm (visible shelf depth: 180 mm)
- overall thickness (H): 14 mm
- LED colour: white, 4,000 K ( $\pm 10\%$ )
- Edge banding: 1 mm ABS banding, concrete look, on three sides
- Light distribution: approx. 40% upwards / 60% downwards
- LED voltage supply through spring pin contacts

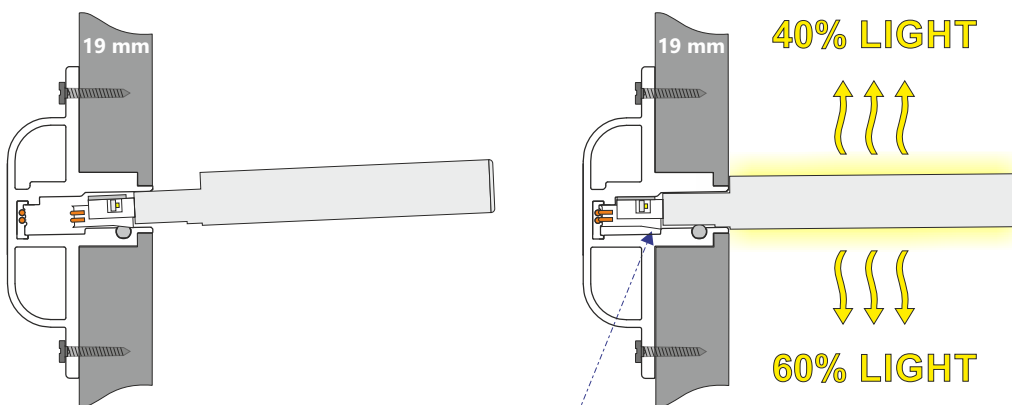
**Price: 99.00 €**

excluding VAT (19%) and shipping

**MUST HAVE**



- 1: Electrified shelf support rail
- 2: 6 mm opal acrylic cover
- 3: 5 mm light-transmitting clear acrylic
- 4: 3 mm opal acrylic cover
- 5: 1 mm edge banding
- 6: Sealing cord
- 7: Current collector
- 8: Usable shelf depth  
(1° incline unloaded)



The shelf is pushed into the profile until the "nose" on the underside of the current collector snaps in.

Technical modifications reserved. Content is protected by copyright.

June 2019, MH