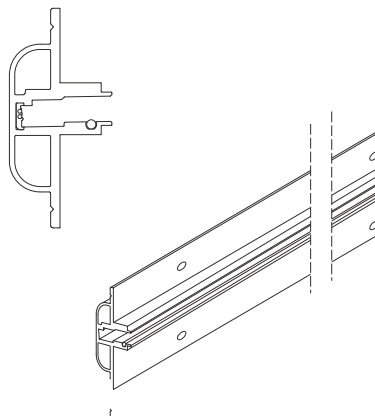


Component Overview – Prices on Request

Electrified shelf support rail

Article no. 5 7203 006

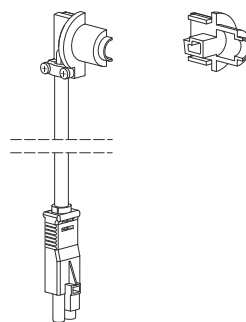
- with pre-drilled fixing holes
- for installation in 19 mm panels (rear mounting)
- with integrated conductor rail, IP20
- material: aluminium, silver anodized
- max. length: 6,000 mm



End cap set

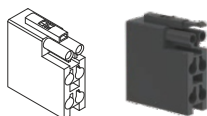
Article no. 5 7203 007

- needed to supply the support rail with electricity
- including 1.8 m connection cable and 2-pole ST17 connector
- material: plastic, grey



5-way distributor

Article no. 5 7203 008



Illuminated shelf

- two luminous sides
- white light, available colour temperatures: 2700K / 3000K / 4000K / 5000K / 6500K
- including current collector



Edge banding

- white
 - black
 - wood look (oak)
- Others available on request*



Suitable 12 V power supply units, controllers and dimmers are available separately.