

Technical Data Sheet

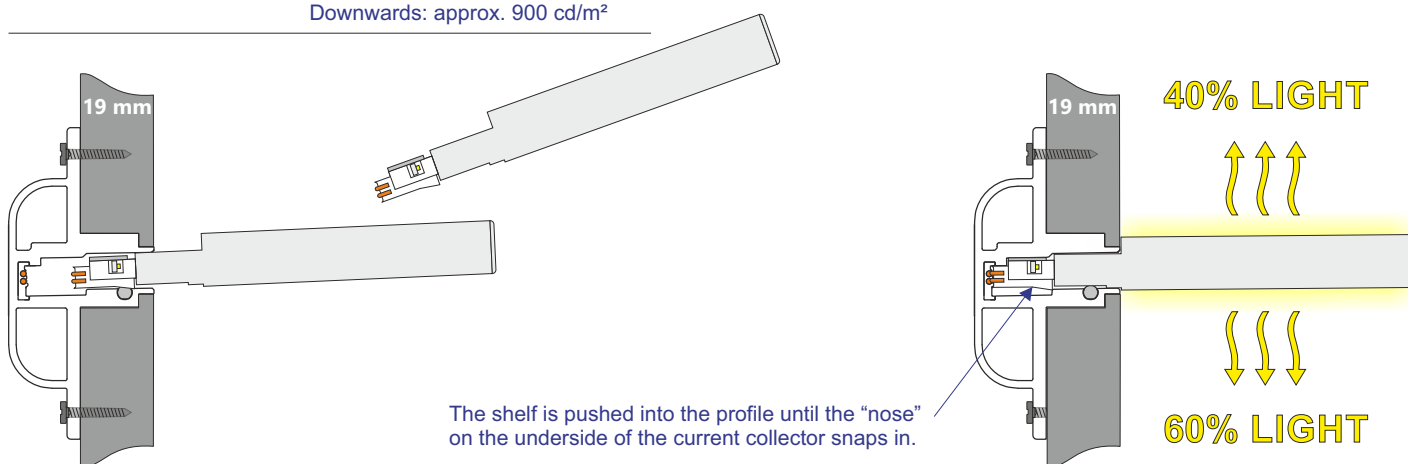
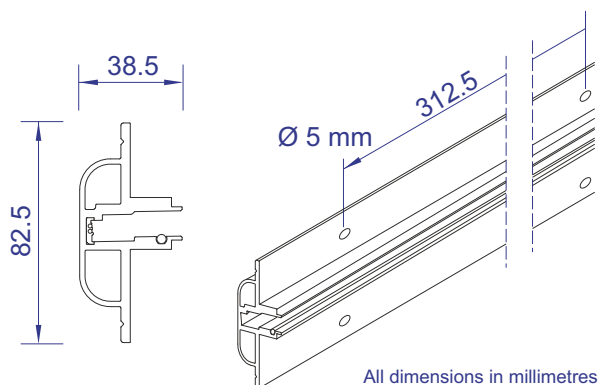
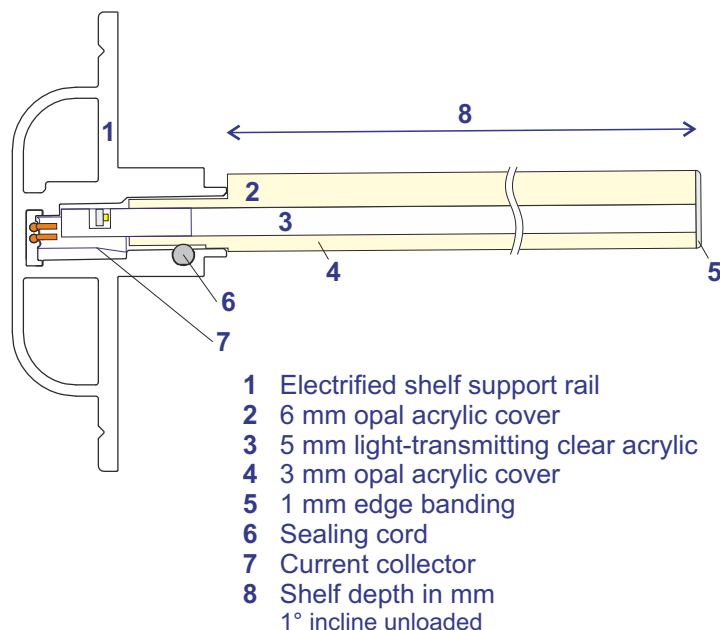
This illuminated shelf is a variant of our Luminous Panel specially designed for product display purposes. The light-transmitting acrylic glass panel is inserted horizontally into an electrified shelf support system.

The system comprises PMMA acrylic glass panels, LED strips, current collectors and edge banding.

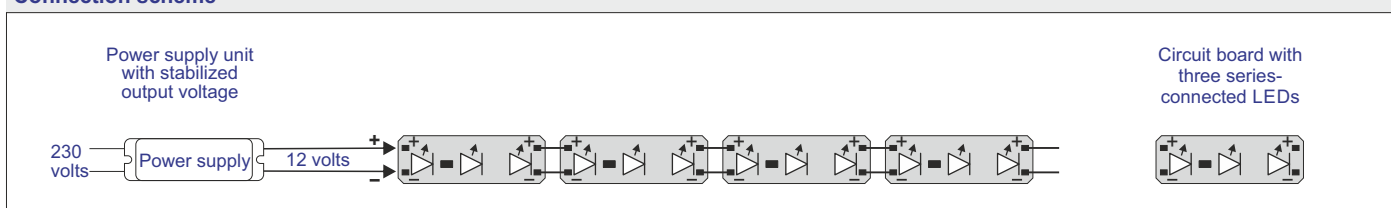
When inserted, the shelf is homogeneously illuminated on both sides with the light shining upwards and downwards.

The electrified shelf support rail is designed to be installed into 19 mm panels from the rear.

General data	
Type of connection	Parallel connection
Operating voltage	12 V
Output power	13.3 W/m
Light colours	2700K / 3000K / 4000K / 5000K / 6500K
Degree of protection	IP40
Protection class	III
Residual luminous flux	70% after 50,000 operating hours
Conformity	CE, RoHS
Min. shelf depth	180 mm
Max. shelf depth	300 mm
Max. width	1,000 mm
Overall thickness	14 mm (±1 mm)
Max. load capacity	10 kg
Luminous flux	Approx. 930 lm/m
Luminance	Upwards: approx. 600 cd/m ² Downwards: approx. 900 cd/m ²



Connection scheme



All values refer to an ambient temperature of +25°C.

Technical modifications reserved. Content is protected by copyright.

August 2019, MH