

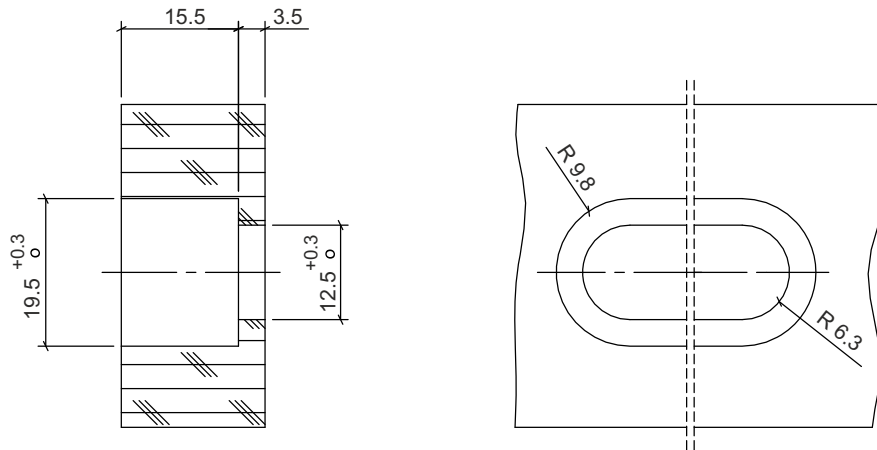
Mounting and Installation Advice (1/3)

Planning

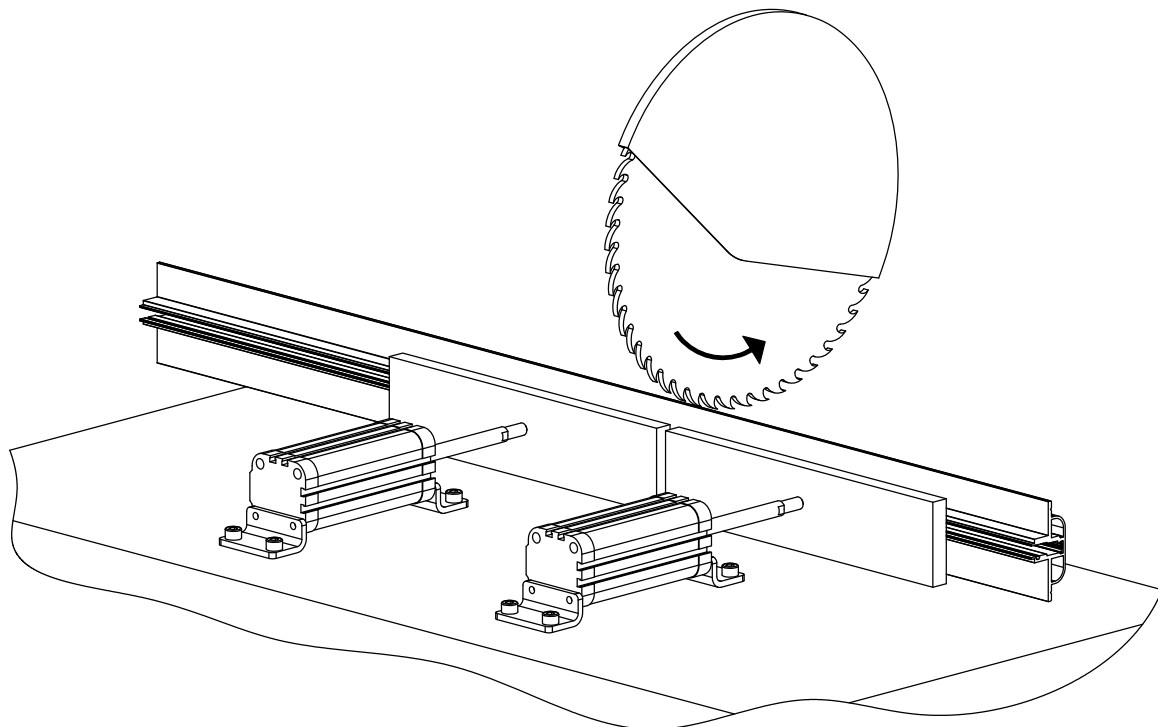
The wall mounting and fixing points must be chosen according to the products to be displayed and the expected load.

Milling dimensions

for the installation of the electrified shelf support rail in 19 mm panels

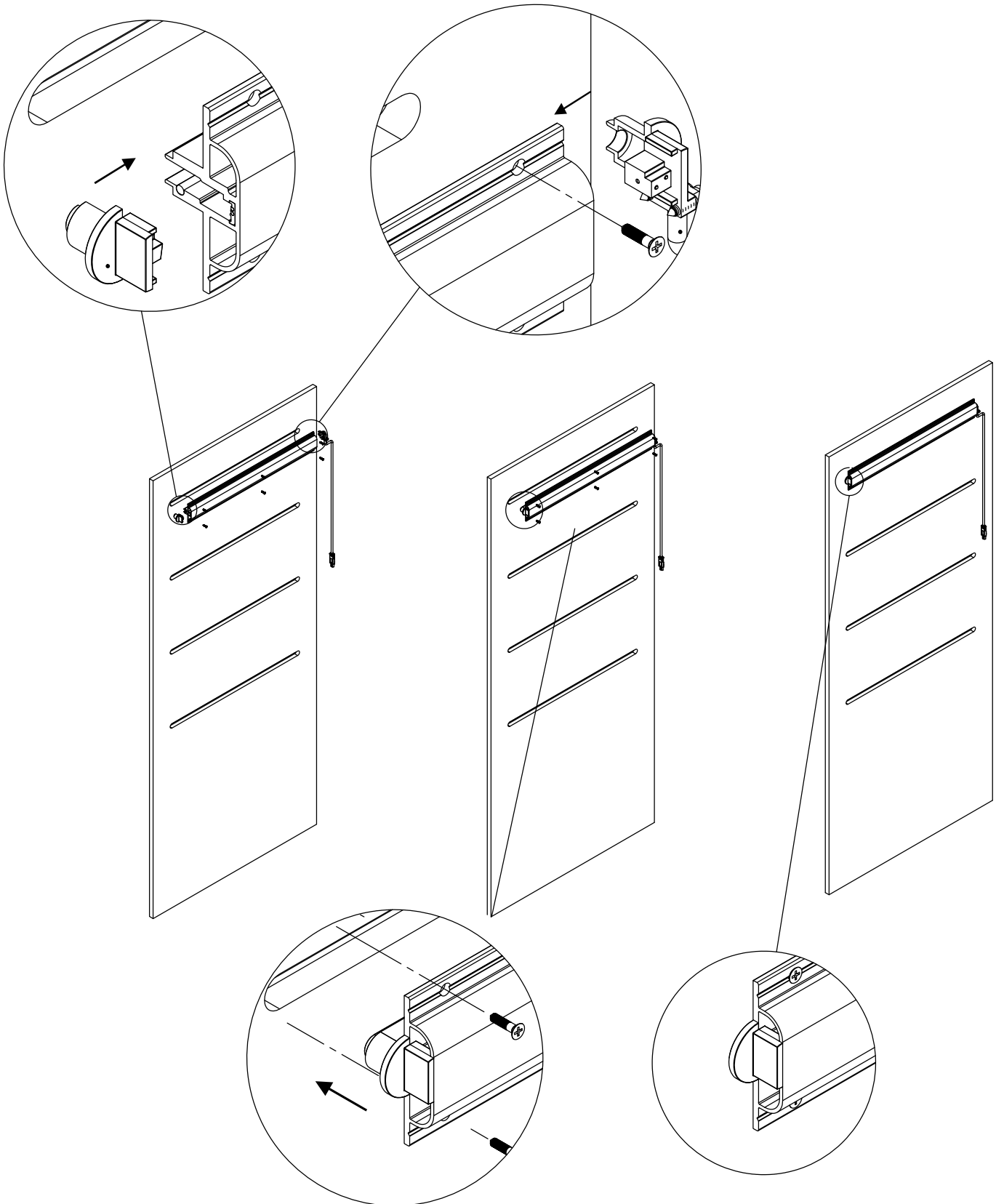


Correct positioning of the electrified shelf support rail for cutting



Mounting and Installation Advice (2/3)

Fitting the electrified shelf support rail and the end caps



Mounting and Installation Advice (3/3)

Installation example of four electrified shelf support rails on a panel (back view)

