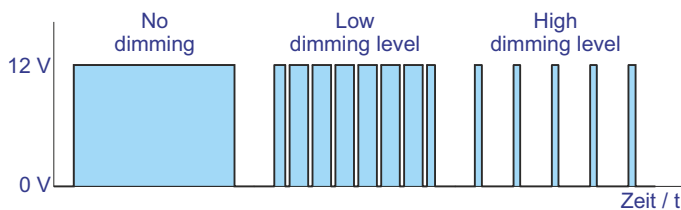


Slave Module RGBW XXL

Article no. 6 0120 500

The **slave module** acts as a technical link between a digital controller and LED circuit boards. The controller generates a specific signal sequence, which is converted into visible light signals by the LED circuit boards. The slave module is connected between these two and converts the digital signals from the controller into pulse-width modulated voltages, which can be used to dim the LED circuit boards.

PWM = Pulse Width Modulation



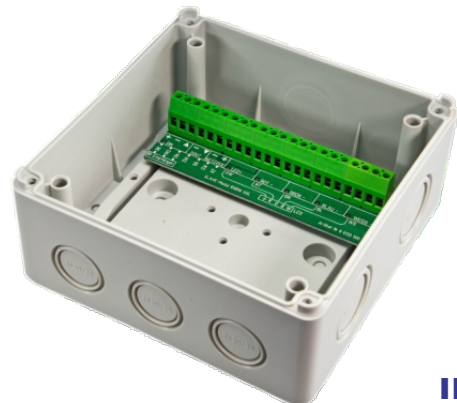
PWM modulation with different dimming levels

The above diagram shows the output voltage at one of the slave module's four outputs. The modulation takes place at a high frequency so that the change will appear to the human eye as dimming and not as flickering.

The slave module has four outputs for the four RGBW colours. Each channel can supply a maximum of 4 A. For a 12 V system with four channels this results in a total output power of 192 W.

The outputs are not equipped with a current limitation, i.e. a suitable overcurrent protection must be provided by the customer.

If LED circuit boards with a higher rating are to be used, two or more slave modules can be connected to one controller.



IP65

The Slave Module with the housing lid removed

Technical data:

Length x width x height: 140 x 140 x 79 mm
Degree of protection: IP65

Supply voltage: 12/24 V DC
Number of output channels: 4
Max. output current per channel: 4 A
Max. output power per channel: 48/96 W
Max. total output power: 192/384 W

Data protocol: LED protocol (by Toni Maroni)
Max. number of slave modules per controller: 60
Max. length of the CAT5 data cable (controller to slave module): 20 m

Slave Module RGBW XXL

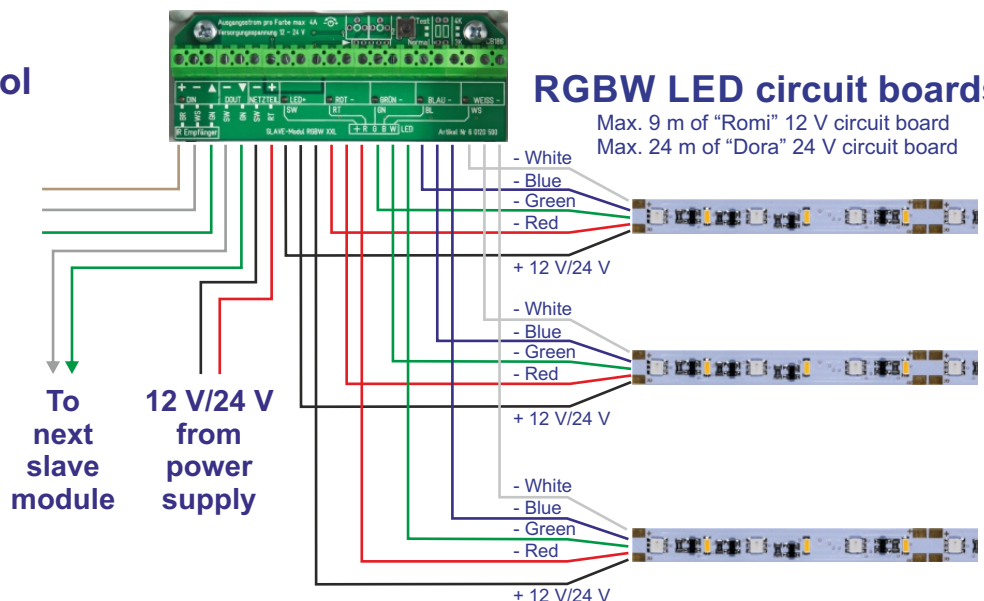
IR remote control RGBW

Infrared Remote Control
Article no. 6 0122 221



RGBW LED circuit boards

Max. 9 m of "Romi" 12 V circuit board
Max. 24 m of "Dora" 24 V circuit board



Technical modifications reserved. Content is protected by copyright.

September 2018 L169/09/2018