

EVG LED 12/15 (Extra-low voltage)

General Description

Electronic transformer (EVG) converting the AC input voltage (230 V, 50/60 Hz) into a 12 V DC voltage for the operation of light emitting diodes (LEDs).

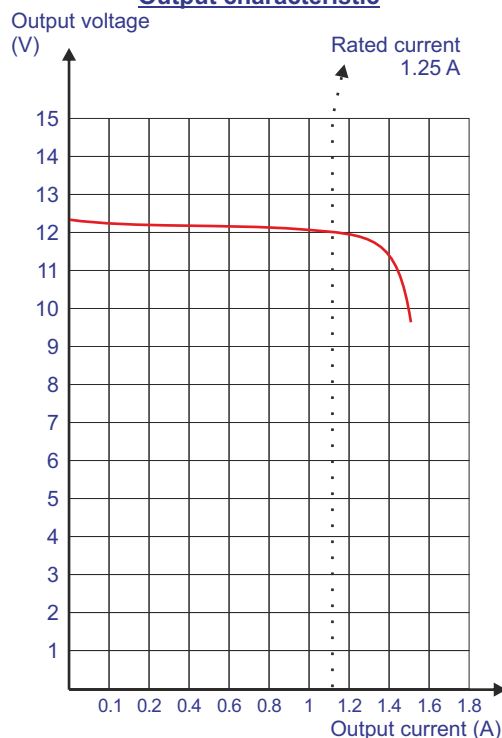
The EVG is contained in a plastic housing and fully embedded in artificial resin for additional insulation. The device is watertight except for the electrical connections.

Electrical connection is made by a connection cable provided on the input side (230 V) and on the output side (12 V).

Further device data

<u>Weight</u>	0.250 kg
<u>Radio interference suppression</u>	According to VDE 0875, Part 2A1 (EN 55015)
<u>Temperatures</u>	Ambient temperature range: max. +55°C Temperature limit: +70°C
<u>Housing</u>	Polystyrene shell Fire protection class: B1 Standard colour: white Sealing compound: polyurethane (black)
<u>Class of protection</u>	II
<u>Degree of protection</u>	IP 67
<u>Input voltage</u>	100 - 230 V, 50 / 60 Hz
<u>Input current</u>	max. 0.4 A
<u>Output voltage</u>	12 V DC +/-5 %
<u>Output current</u>	max. 1.25 A at 12 V

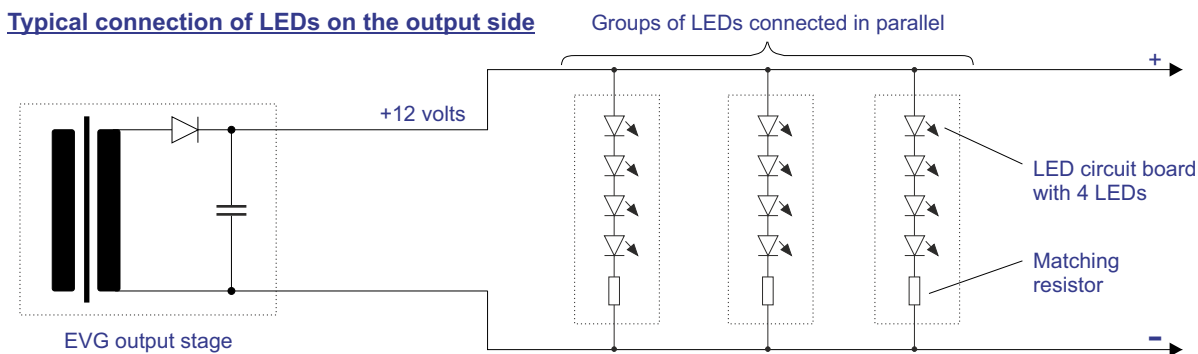
Output characteristic



Abnormal operation

The EVG is open-circuit- and short-circuit-proof (no cut-off). At overload the output voltage decreases according to the characteristic (no thermal overload).

Typical connection of LEDs on the output side



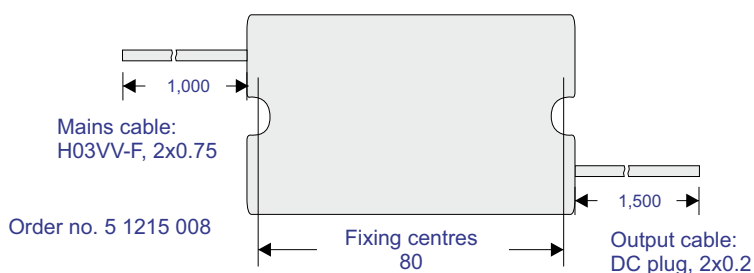
Housing dimensions

Weight
250 g



90 x 46 x 30 mm

Housing colour: white (standard) or black
All dimensions in millimetres



Technical modifications reserved. Content is protected by copyright.

January 2019 ELV-12-15/01/2019