

EVG LED 12/6 (Extra-low voltage) plug-in power supply

General description

Electronic transformer (EVG) converting the input AC voltage (230 V, 50/60 Hz) into a 12 V DC voltage for the operation of light emitting diodes (LEDs).

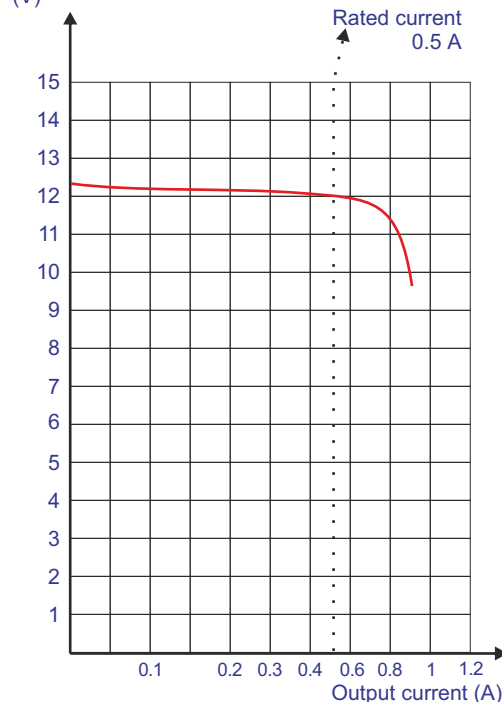
The EVG is contained in a plastic housing and can be plugged directly into the mains socket.

The electrical connection is made by a Euro plug on the input side (230 V) and by a connection cable with DC plug on the output side (12 V).

Device data:

<u>Weight</u>	0.080 kg
<u>Radio interference suppression</u>	In accordance with VDE 0875, Part 2A1 (EN 55015)
<u>Temperatures</u>	Ambient temperature: max. +40°C
<u>Housing</u>	Polypropylene shell Colour: white or black
<u>Class of protection</u>	II
<u>Degree of protection</u>	IP 30
<u>Input voltage</u>	100-240 V, 50/60 Hz
<u>Input current</u>	max. 0.19 A
<u>Output voltage</u>	12 V DC +/-5%
<u>Output current</u>	max. 0.5 Amp. at 12 V

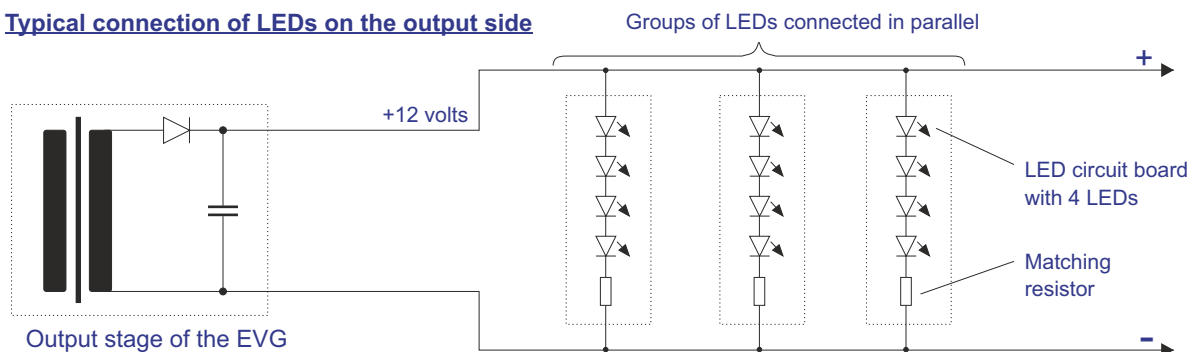
Output characteristic



Abnormal operation

The EVG is open-circuit- and short-circuit-proof (no cut-off). In case of overload the output voltage decreases according to the characteristic curve (no thermal overload).

Typical connection of LEDs on the output side



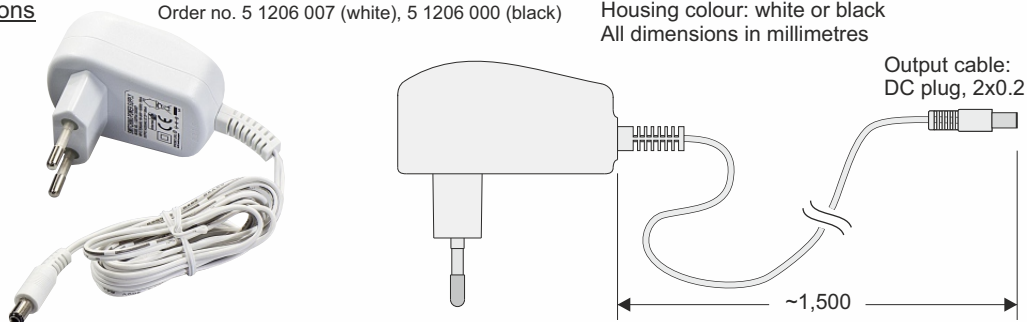
Housing dimensions

Weight
80 g

63 x 48 x 32 mm

Order no. 5 1206 007 (white), 5 1206 000 (black)

Housing colour: white or black
All dimensions in millimetres



Technical modifications reserved. Content is protected by copyright.

January 2019 ELV-plug-in-12-6/01/2019