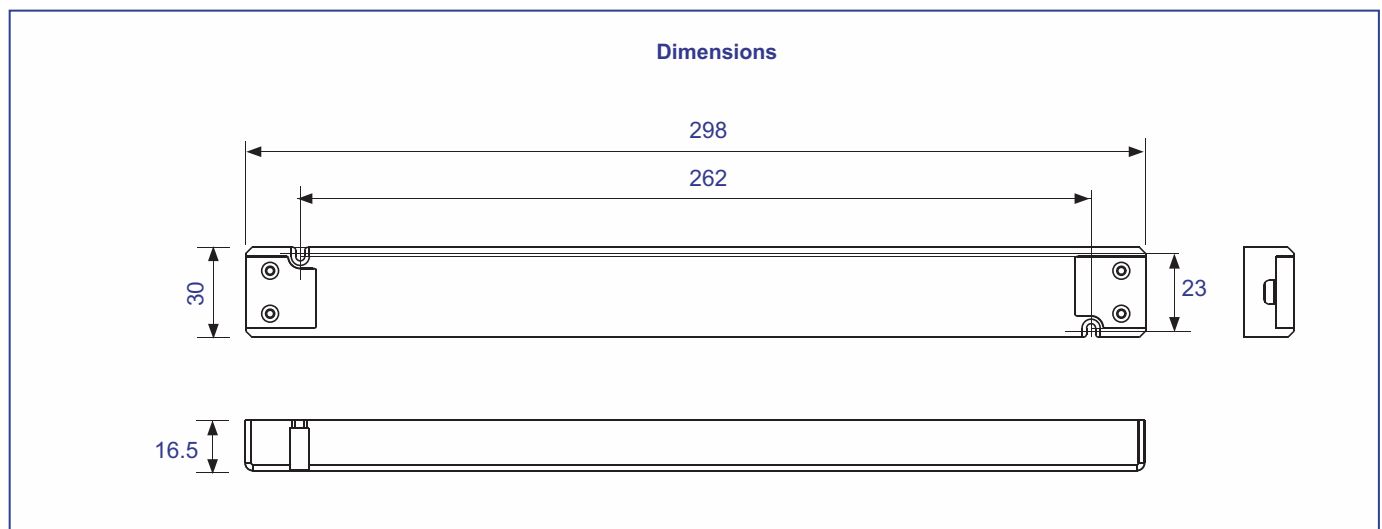
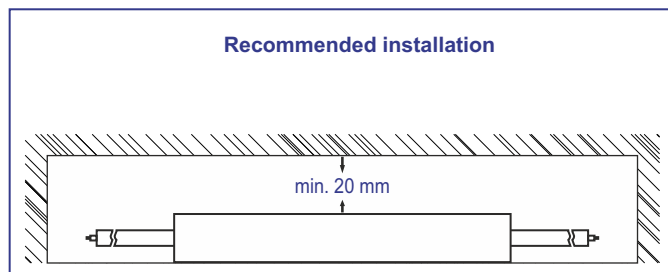
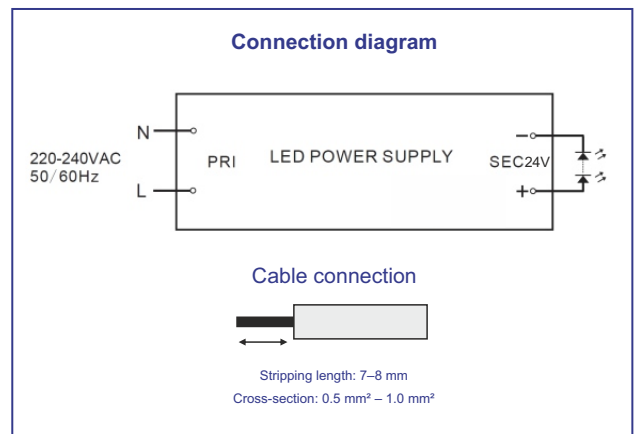
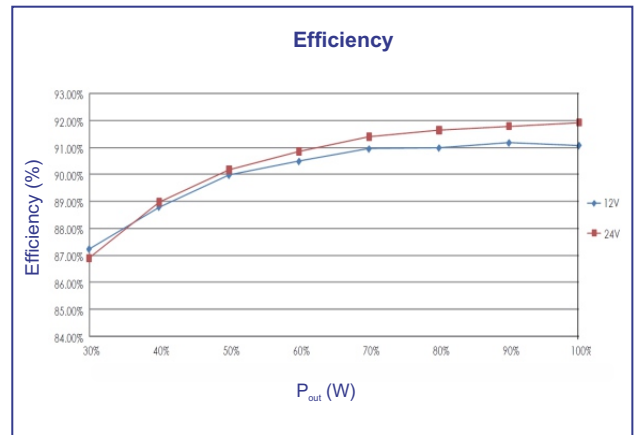


EVG* LED 24/100 (extra-low voltage)

* EVG is the common abbreviation of the German term for electronic ballast and used by us as a product name.

Electrical data:	
Operating mode	Constant voltage
Output voltage	24 V
Output current	Max. 4.17 A
Output power	Max. 100 W
Input voltage	220–240 V AC / 50–60 Hz
Input current	Max. 0.60 A
Power factor	> 0.95
No-load power	< 0.5 W
Efficiency	> 90%
Protection class	II
Degree of protection	IP20
EMC emission	EN 55015, EN 61000-3-2
EMC immunity	EN 61547
Protection	Short-circuit, open circuit, overload
Ambient temperature	-20 °C to 45 °C
Other data:	
Housing	Plastic, grey
Dimensions (L x W x H):	298 x 30 x 16.5 mm
Weight	216 g
Conformity	CE, UL, RoHS, MM, ENEC
Article number	5 2450 100



Technical modifications reserved. Content is protected by copyright.

January 2019 ELV-24-100/01/2019