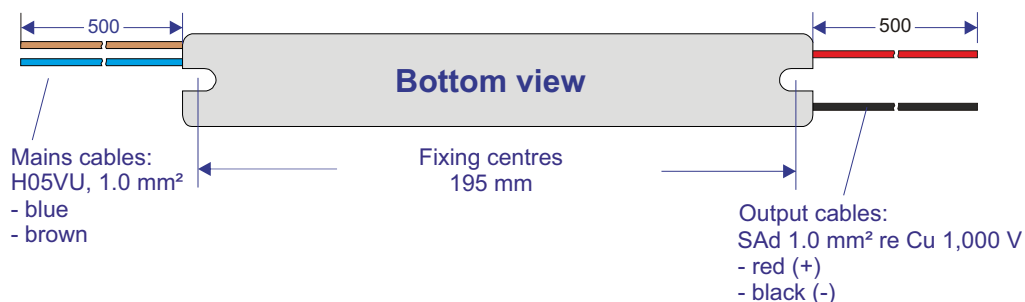
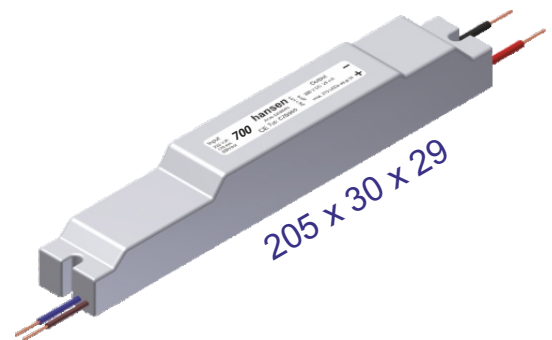
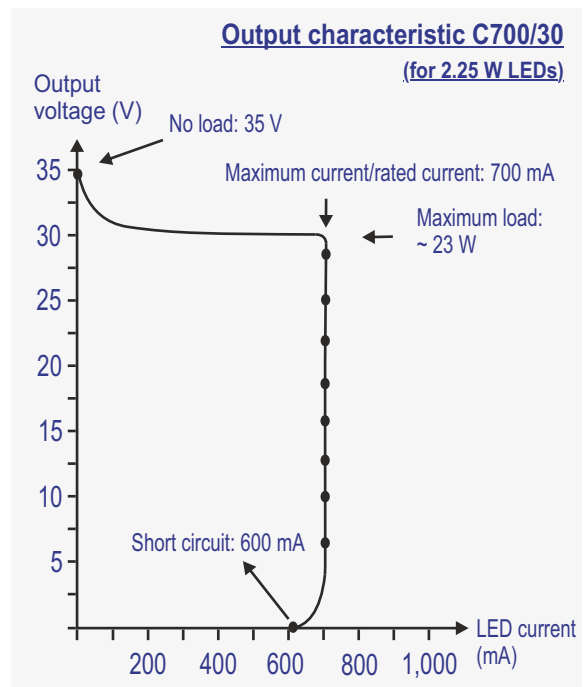


## LED Converter C700/30

General data	
Degree of protection	IP67
Protection class	II
Conformity	CE
Operating temperature	-25 °C to +55 °C
Operating mode	Constant current
Dimmable	No
No. of LEDs white, blue, green	2 to 10 LEDs
No. of LEDs red, yellow, amber	2 to 13 LEDs
Article number	5 2355 130
Electrical data	
Input voltage	230 V (+/- 10%), 50/60 Hz
Current consumption	Max. 0.17 A
Emerg. power operation	Yes, 260–330 V DC
Output voltage	Max. 30 V DC
Output current	700 mA (+/- 5%)
Output power	Max. 23 W
Output protection fuse	Yes
Galvanic isolation	Yes
Short-circuit protection	Yes
Temperature cutoff	No
EMC conformity	EN55015, EN61000-3-2 class C, EN61000-3-3
EMC protection	EN61547 (2 kV surge)
Mechanical data	
Weight	270 g
Housing material	Rigid PVC
Fire protection class	B1 (acc. to DIN 4102)
Dimensions (L x W x H)	205 x 30 x 29 mm
Housing colour	White

All values refer to an ambient temperature of +25 °C.



Technical modifications reserved. Content is protected by copyright.

March 2018 C700-30/03/2019