

LED Converter C500/24

Type:

Electronic converter for the operation of high-power light emitting diodes (1.75 W LED) in series connection

Functional description:

- The input voltage (e.g. 230 V, 50 Hz) is rectified and smoothed by means of a capacitor.
- An additional electronic circuitry generates a constant output current for the LEDs.
- The output current is preset to 500 mA DC.
- The output voltage automatically adjusts to the respective load.

Primary data:

230 V (+/-10 %), 50/60 Hz, max. 0.1 A

Secondary data:

C500/24: 24 V (DC, max.), 500 mA (+10 %/-5 %)

Fuses:

1 A embedded, non-replaceable melting fuse

Short-circuit/open-circuit protection:

The converter is short-circuit- and open-circuit-proof (no cut-off).

Galvanic isolation:

The input and output are galvanically isolated.

Weight: 210 g

Radio interference suppression:

According to VDE 0875, Part 2A1 (EN 55015)

Temperatures:

Ambient temperature range: -25 to +55 °C

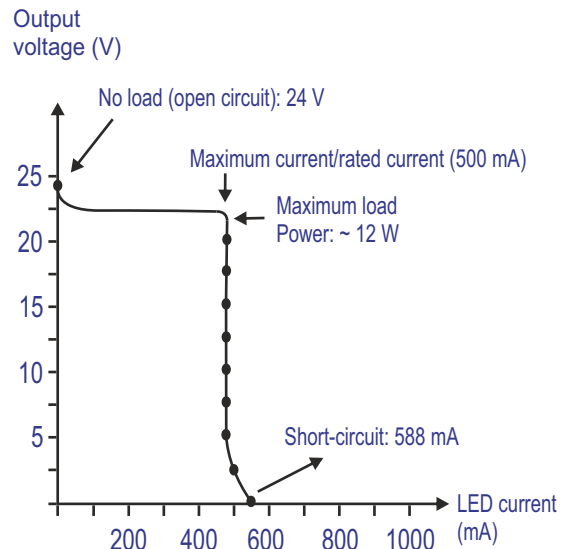
Housing:

Hard PVC shell
 Fire protection class: B1
 Standard colour: white
 Sealing compound: polyurethane (black)

Class of protection: I

Degree of protection: IP 67

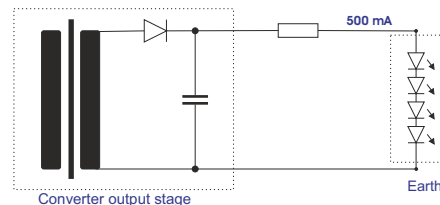
Output characteristic C500/24
 (for 1.75 W LEDs)



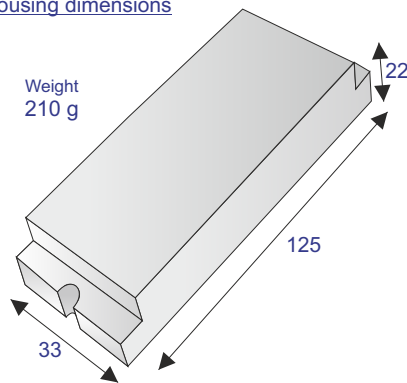
Maximum loading with high-power LEDs (1.75 W):

White, blue, green: 6 LEDs
 Red, yellow, amber: 10 LEDs

Typical connection of LEDs on the output side



Housing dimensions



Order no. 5 2522 224

Mains cable:
 H03VV-F, 2 x 0.75

Output cable:
 H05VU-1.0 mm²
 Length: 500 mm
 - red (+)
 - black (-)



Technical modifications reserved. Content is protected by copyright.

January 2019 C500-24-e/01/2019