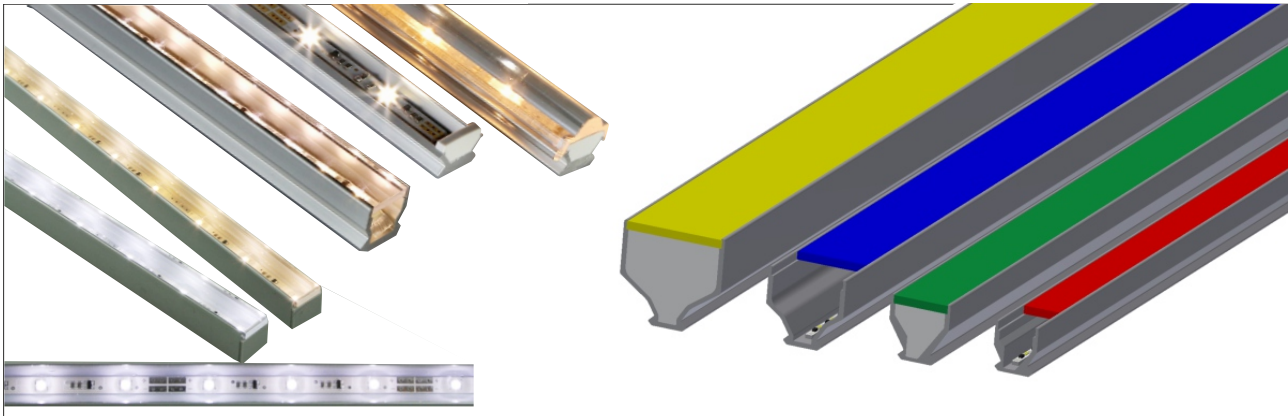


LED Mini Profile



Technical description

LED Mini Profile is a collective term for our small linear LED luminaires designed to create illuminated lines inside and outside buildings.

The **hansen LED Mini Profiles Type 5** and **Type 220** are designed for the illumination of objects. Type 220 is equipped with a transparent protective cover made of acrylic glass.

The **LED Mini Profiles Type 911 to 960** are equipped with a white or coloured protective cover made of acrylic glass. This translucent cover is illuminated by the LEDs creating a fine illuminated line.

A common feature of the **LED Mini Profiles** is the extruded aluminium profile housing the LEDs. The open side of the u-shaped profile is covered by acrylic glass. The LEDs are embedded in a transparent potting compound.

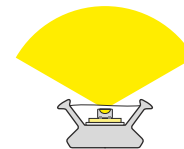
The **LED Mini Profile** is made to customer specification, i.e. we do not keep them in stock.

The following can be specified:

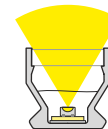
- Type of Mini Profile
- Length
- Acrylic cover
- LED type/light colour
- Position of the connecting cable

The aluminium profile has a light-grey anodized surface and features a specially shaped rear which allows the profile to be fixed using our mounting brackets or mounting profile.

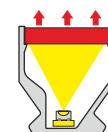
The **LED Mini Profile** is designed for 12 and 24 volts operation (**IP65**).



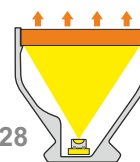
Type 5



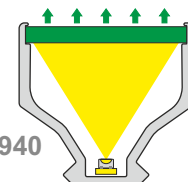
Type 220



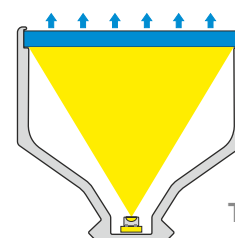
Type 911



Type 928



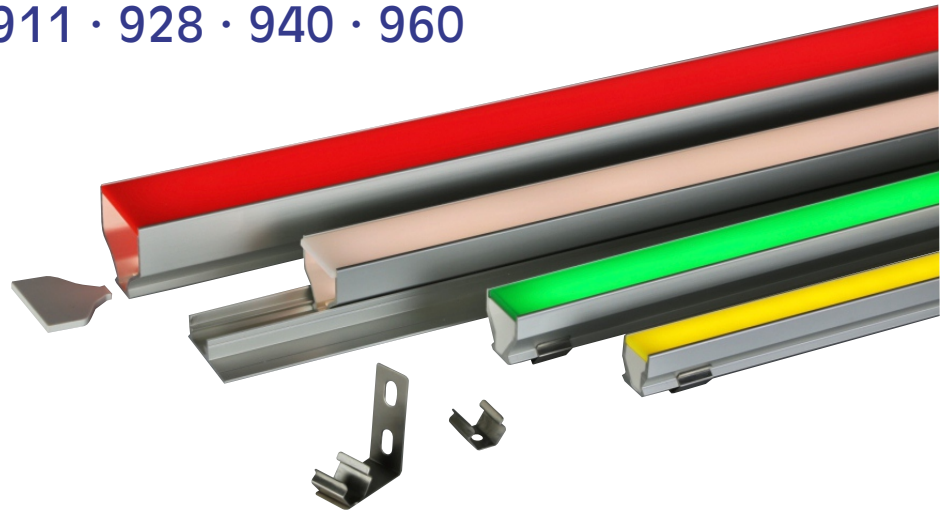
Type 940



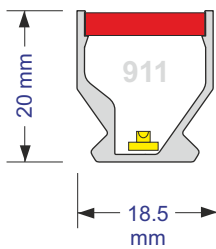
Type 960



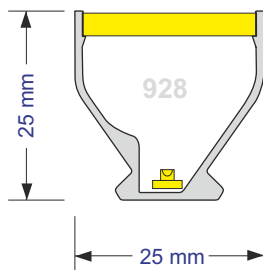
LED Mini Profile Types 911 · 928 · 940 · 960



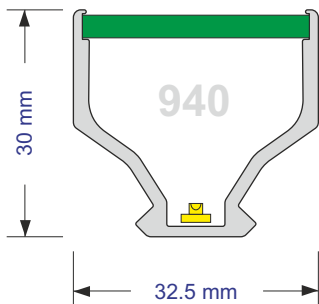
Type 911



Type 928

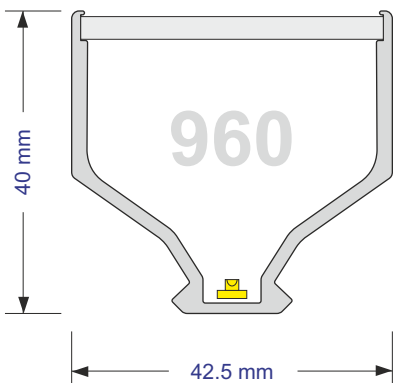


Type 940



Type 940 and type 960 are also available with RGB LEDs

Type 960



- Available for 12 V operation, Type 940 und 960 also in 24 V (IP65)
- Max. available length in one piece: 3,000 mm

IP65

Designation	Power/m
Type 911 / 18.5 x 20.0 mm	7 W
Type 928 / 25.0 x 25.0 mm	7 W
Type 940 / 30.0 x 32.5 mm	7 W
Type 940 RGB	16 W
Type 940 Rainbow RGB	12.5 W
Type 960 / 40.0 x 42.5 mm	7 W
Type 960 RGB	16 W
Type 960 Rainbow RGB	12.5 W

Actual size

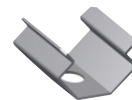


Mounting accessories

Spring steel mounting bracket Type 1 (16 x 11.4 mm)

Article no.

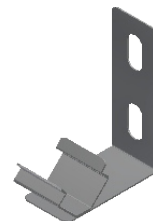
5 6700 001



Spring steel mounting bracket Type 2 (30 x 40 mm)

Article no.

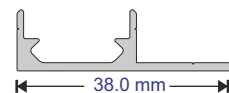
5 6700 011



Mounting profile (anodized) Type 2 (38 x 11 mm)

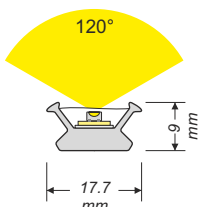
Article no.

5 6700 006



LED Mini Profile Type 5 & Type 220

Type 5



- Available for 12 V and 24 V operation (IP 65)
- Maximum available length: 3,000 mm

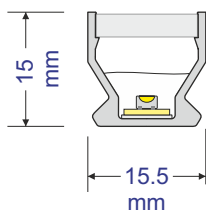
Light colours

2700 K | 3000 K | 4000 K | 5000 K | 6500 K

Type 5

Designation		Power/m	
Type 5	white	12 V	13.3 W
Type 5	white	24 V	13.3 W
Type 5	Tunable white	12 V	13.3 W
Type 5	RGB	12 V	16 W

Type 220



IP65



Type 220

Mounting accessories:
See sheet
LED Mini Profiles Type 9..



Designation		Leistung / m	
Type 220	white	12 V	13.3 W
Type 220	white	24 V	13.3 W
Type 220	Tunable white	12 V	13.3 W
Type 220	RGB	12 V	16 W
Type 220	Rainbow-RGB	12 V	12.5 W

