

Radar Indoor Tunable White · 24 V LED Circuit Board

LED circuit board for the illumination of flat light boxes – tunable from warm white to cool white

Very large radiation angle (170°) with an LED spacing of 150 mm per light colour for boxes with a depth of up to 60 mm.

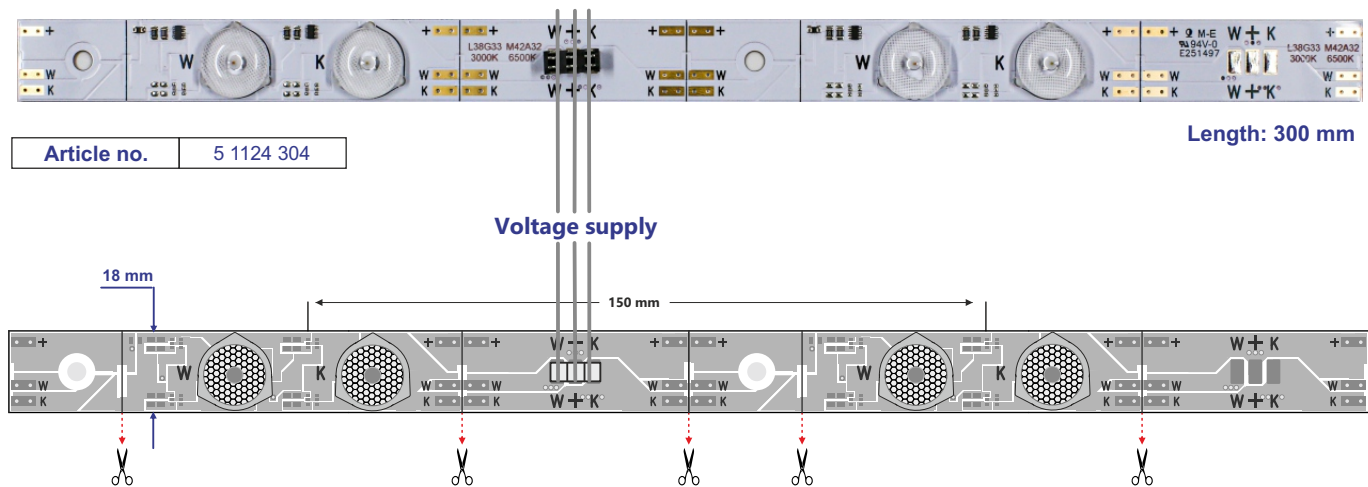
The desired colour temperature can be adjusted by means of a suitable colour controller.

Total run length per power supply: 12 m.

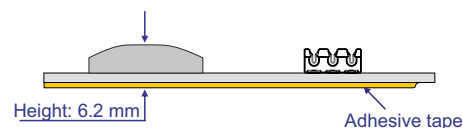


Quick and easy installation with insulation displacement connectors and double-sided adhesive tape on the back of the strip.

The circuit board is supplied on reels with a maximum length of 12 m.



Circuit board can be split here



Connection:

The cables are pushed into an insulation displacement connector (IDC) using a special tool (see installation instructions).
Only use suitable cables (see "accessories" below).

W + K
W + K
W + K

+ = +24 V
W = GND warm white
K = GND cool white

Technical data (circuit board):

Type	Dimensions (mm)	LED spacing WW (mm)	No of LEDs	Splittable every (mm)	Operating voltage (V)	Wattage per c. board (W)	Wattage per metre (W)	Max. length per power supply (m)
Radar Indoor TW	300 x 18	150	4	150	24	4.8	16	12

Photometric data (circuit board, per light colour):

Colour temp.	2,700 K	3,000 K	4,000 K	5,000 K	6,500 K	Colour rendering
lm/m	601	601	647	647	647	CRI 80

Accessories

Connecting cable:

White	5 0001 072
-------	------------

IDC punch down tool:



Handle	Article no.	5 3000 151
Insert	Article no.	5 3000 150