

EVG 50/2D (dimmmable via 0–10 V control voltage)

<u>Type</u>	Electronic transformer for neon tubes according to VDE 0713. Suitable for indoor systems.
<u>Weight</u>	1.350 kg
<u>Radio interference suppression</u>	According to VDE 0875, Part 2A1 (EN 55015)
<u>Temperatures</u>	Ambient temperature range: +/- 0 to +55°C Temperature limit: +70°C (max. ambient temp. that the EVG is able to withstand for a short period of time without being destroyed)
<u>Housing</u>	Polystyrene shell, Standard colour: white Sealing compound: polyurethane (black)
<u>Class of protection</u>	I
<u>Degree of protection</u>	IP 67

Primary Data	
<u>Mains voltage</u>	230 V, +/- 10 %, 50 / 60 Hz
<u>Current consumption</u>	Depends on the connected tube load; max. 0.60 A cos phi 0.95

Protective Equipment	
<u>Safety fuse</u>	Integrated 1 A melting fuse offering protection against internal short circuits
<u>Earth leakage trip</u>	(acc. to EN 50107) integrated in the transformer
<u>Open circuit protection</u>	(acc. to EN 50107) integrated in the transformer

Caution:
The installation instructions must be observed when using the transformer!

Secondary Data

2,000 V with 50 mA constant current, symmetrical alternating current, operating frequency depending on the load and the control voltage, 16 - 60 kHz.

Integrated open circuit protection and earth leakage trip

Suitable for blue discharge tubes, conditional suitability for red discharge tubes.

Secondary current dimmable via control voltage (0 to 10 V, see diagram).

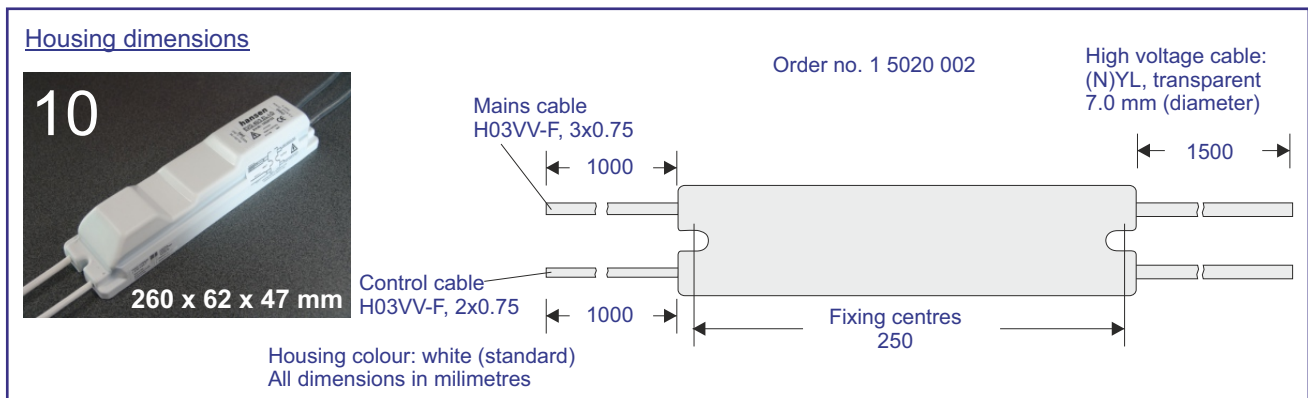
Secondary current depending on the control voltage:

Control voltage [V]	Secondary current [mA]
0	0
1	5
2	10
3	15
4	20
5	25
6	30
7	35
8	40
9	45
10	55

Connectable tube lengths:

Blue discharge (indoor, 2 sections)		
Diameter / mm	18	20 22
Length / m	4.0	4.4 5.0

The values given represent the maximum connectable tube lengths which must not be exceeded. Shorter tube lengths, however, may be connected without any restrictions. The tube lengths are calculated on the basis of the 'Filling Pressure Recommendations for Fluorescent Tubes' published by the German *Fachverband Lichtwerbung*.



Technical modifications reserved. Content is protected by copyright.

December 2018 EVG-50-2D-e/12/2018